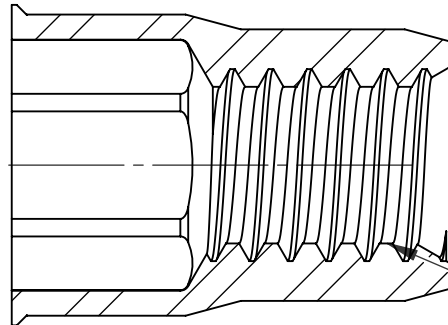
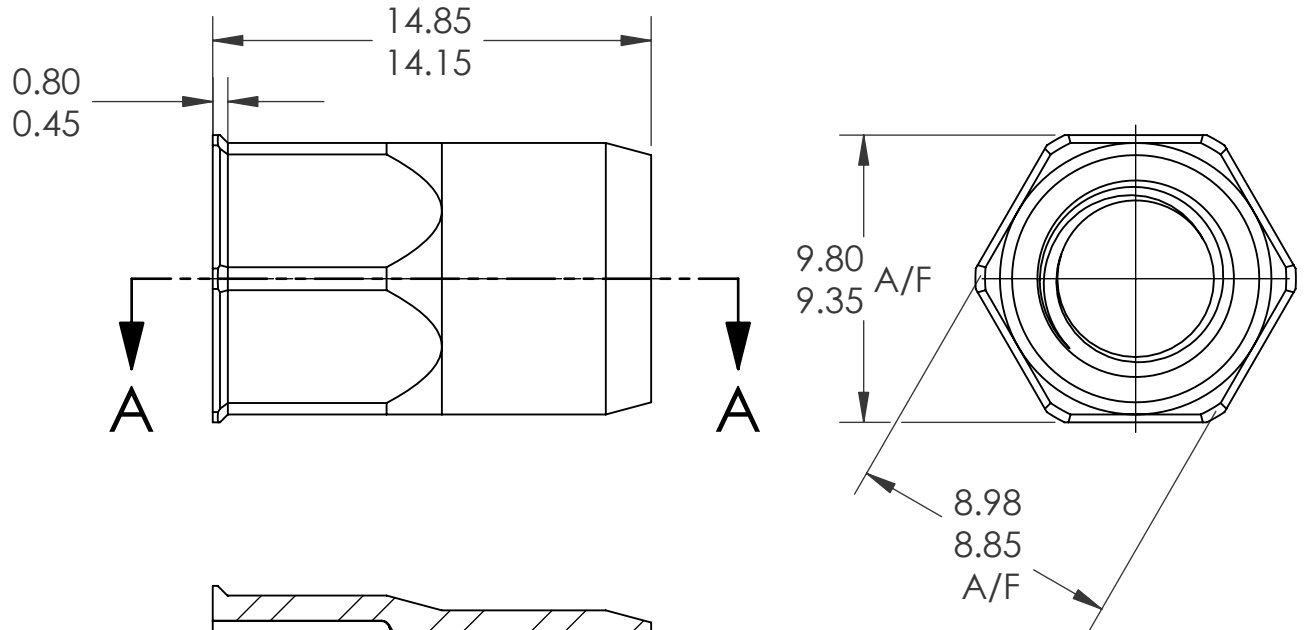
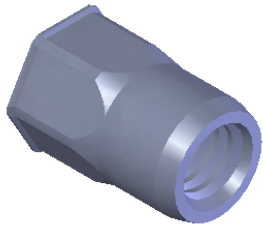


REVISIONS			
REV.	DESCRIPTION	DATE	ECN
B	UPDATED MATERIAL	10/15/08	1104



SECTION A-A

1/4-20 UNC 2B  
PER ASME B1.1  
MINOR DIA.: .196 - .207

**NOTE:**

- GRIP RANGE: 0.5 - 3.0
- HOLE SIZE: 9.0 +0.1/-0.0 A/F AFTER ALL APPLIED FINISHES.
- INSTALLED LENGTH: N/A
- LUBRICATION: NONE
- INSTALLATION TOOL: MS 50 SPIN PULL

**PROPRIETARY AND CONFIDENTIAL**  
THIS DRAWING, AND THE INFORMATION CONTAINED HEREIN, ARE THE PROPERTY OF SHEREX AND ARE NOT TO BE USED IN ANY MANNER DETRIMENTAL TO THE INTEREST OF THE COMPANY.  
SHEREX SOLUTIONS RESERVES THE RIGHT TO REVISE PART/DRAWING WITHOUT NOTICE.

		UNLESS OTHERWISE SPECIFIED:		NAME	DATE
		DIMENSIONS ARE IN MILLIMETERS TOLERANCES: ANGULAR: MACH ± 1 BEND ± 1 ONE PLACE DECIMAL ± 0.10 TWO PLACE DECIMAL ± 0.05	DRAWN	TOO	9/6/06
		INTERPRET GEOMETRIC TOLERANCING PER: ASME Y14.5M-1994	CHECKED		
		MATERIAL	ENG APPR.	TOO	9/6/06
		304 STAINLESS	MFG APPR.	AJP	9/6/06
		FINISH	Q.A.		
		PASSIVATE	COMMENTS:	E-mail: info@sherex.com www.sherex.com Phone: 866-474-3739 Fax: 716-875-0358	
NEXT ASSY	USED ON				
APPLICATION		DO NOT SCALE DRAWING			



**TITLE:**  
LOW PROFILE HEAD SEMI-HEX

SIZE DWG. NO.	REV
<b>A</b> TU-SS2520HUKO30	<b>B</b>

SCALE: 2:1 WEIGHT: .0035 kg SHEET 1 OF 1